

VELUS TOUCH

Digital Touchscreen Thermostat

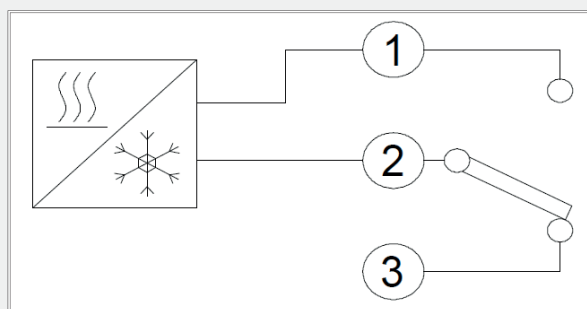
The VELUS TOUCH is ideal for controlling the heating or air conditioning system in residential and tertiary sectors.

Features:

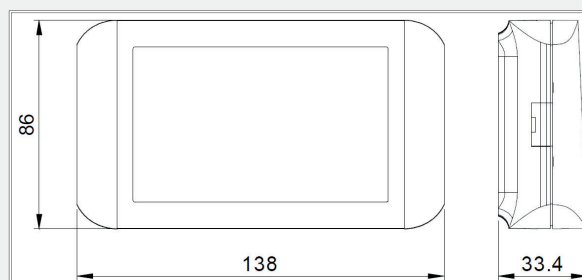
- Touchscreen
- Large backlit display for easy reading
- Adjustable temperature values for Summer/Winter modes
- Back-lit touch screen with contrast adjustment
- Large display numbers and setting icons ensure readability even in dark conditions
- Only requires setting the desired temperature value for each mode- Summer (air conditioning)- Winter (heating)
- Each mode includes three temperature configurations (Comfort, Economy or Anti-freeze)
- Manual regulation operation or standby
- Keypad password block to avoid unauthorised changes
- Low battery indicator



Wiring Diagram:



Dimensions:



VELUS TOUCH Continued...

TECHNICAL DATA	VELUS TOUCH
Power supply	2 Alkaline battery LR6/AA 1.5 V
Battery duration	Approximately for 1 year
Switching capacity	μ 10 (3) A /250 V ~
Type of contact	NO NC
Operating modes	Automatic / Manual / Off
Password lock	Yes
Backlit display	Yes (contrast adjustment)
Measurement range in the LCD	0 °C to +50 °C
Temperature measurement resolution	0.1 °C
Temperature accuracy	\pm 0.5 °C
Temperature update period	60 sec
Regulation margin	+5 °C to +35 °C
Regulation type	ON-OFF with differential setting between 0.1 °C and 1 °C
Differential (or hysteresis) temperature setting	0.1 °C to 1 °C
Regulation margin Antifreeze	+ 1 °C to +10 °C
Control adjustment temperature resolution	0.1 °C
Updating of output relay	60 sec
Protection class	Class II in correct mounting conditions
Degree of protection	IP 40 according to EN 60529
Pollution degree	2
Action type	1B
Software class and structure	A
Rated impulse voltage	2.5 kV
Ball pressure test temperature	75 °C (21.2.5); 105 °C (21.2.6)
Method of mounting control	Mechanism box
Installation height	Ideal 1.5 m
Connection	Screw terminals
Wire cross section	Max 2.5 mm ²
Operating temperature	0 °C to +50 °C
Transportation and storage temperature	-10 °C to +60 °C
Net Weight	260 g