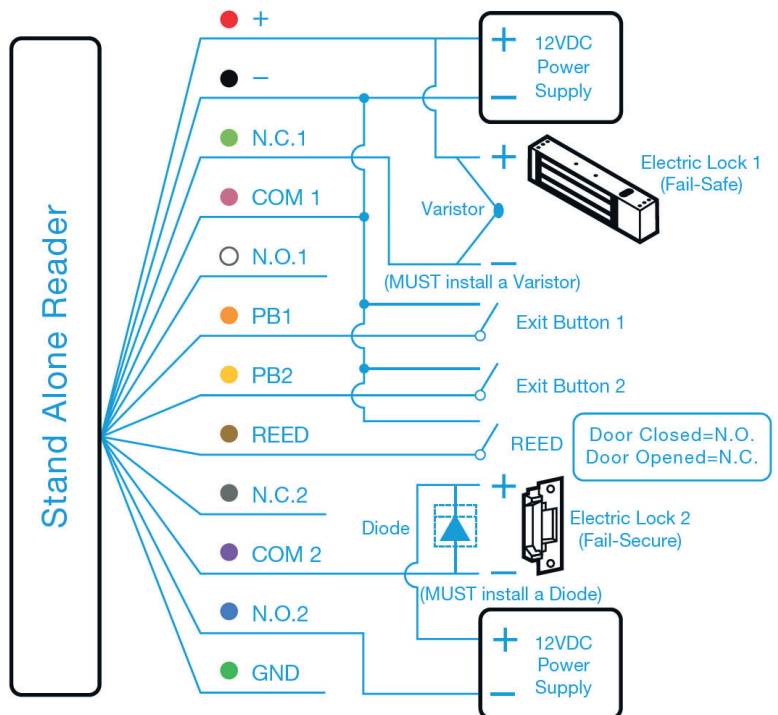
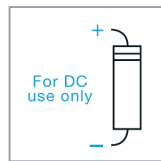
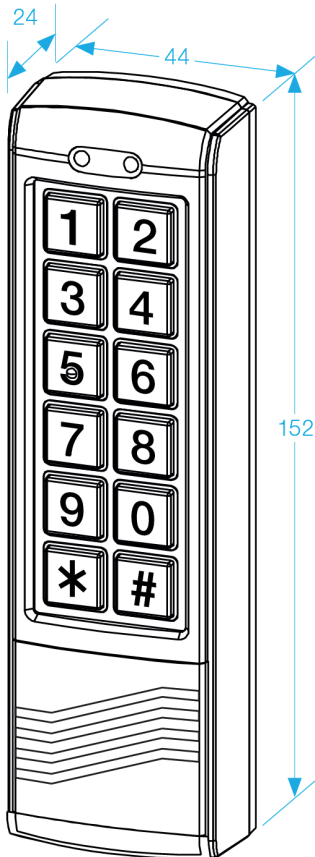


## SCAS/P

### Combined Proximity & Keypad Access

#### Features:

- Operating Voltage: 12V DC
- Aluminium
- Allows up to 1000+10 proximity cards, tokens and PINs
- Backlit keypad
- Built in anti-tamper switch
- 2 LED displays
- Weather resistant: IP65
- Vandal resistant



RED	+	PINK	COM. 1	YELLOW	PB2	PURPLE	COM.2
BLACK	-	WHITE	N.O.1	BROWN	REED	BLUE	N.O.2
LIGHT GREEN	N.C.1	ORANGE	PB1	GREY	N.C.2	GREEN	GND