

ISIMAT +

Motion Detector

Ideal for installation in porchs, box rooms, landings, etc.

Features:

- Surface wall installation
- Angle: 200 ° with 180 ° horizontal rotation
- IP55 (outdoor)
- Timing and brightness range adjustable

Order Details:

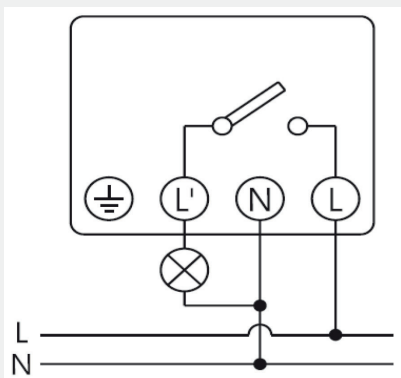
Product Code	Specification
ISIMAT+	230 V ac ± 10 %



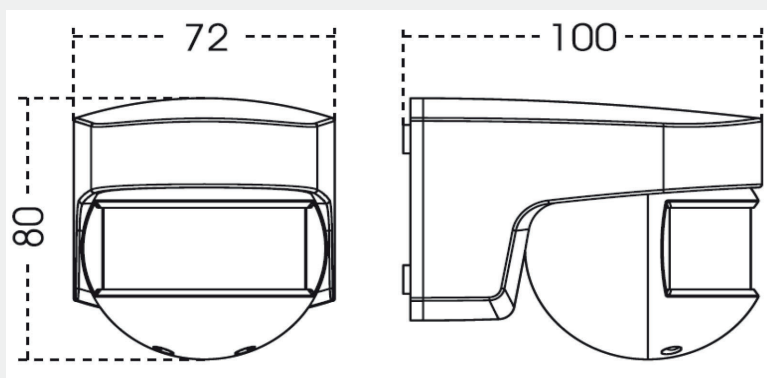
Maximum Recommended Load: ISIMAT230

Incandescents	Fluorescent	Low voltage halogen (12 V AC)	Halogen (230 V AC)	Low consumption lamps	Downlights	LED
2000 W	1200 VA	1200 VA	2000 VA	1200 VA	1200 VA	400 VA

Wiring Diagram:



Dimensions:



ISIMAT+ Continued...

TECHNICAL DATA

	ISIMAT120
Power supply	230 V ac \pm 10 %
Nominal frequency	50 Hz
Power consumption	1 W (6 VA)
Switching capacity	μ 10 A / 230 V \sim cos ϕ = 1
Zero-cross switching	Yes
Sensor technology	PIR
Number of sensors	2
Number of circuits	1
Detection angle	200°
Detection field	Frontal: 12 m (20°) Lateral: 8 m (20°)
Adjustable parameters	Timing, Brightness range
Brightness range	5 lux to 2000 lux
Timing range	3 s to 30 min
Protection class	Class II in correct mounting conditions
Degree of protection	IP55 according to EN 60529
Method of mounting control	Wall (surface)
Installation height	Up to 3 m (ideal between 2 and 3 m)
Connection	Screw terminals
Wire cross section	0.75 mm ² to 1.5 mm ²
Operating temperature	-20 °C to 40 °C
Transportation and storage temperature	-20 °C to 50 °C
Net weight	155 g