



IMPORTANT! When disinfecting panels made of stainless steel, use only alcohol-based cleaners. All types of chlorides (which are present in the composition of common cleaners) are harmful to the steel surface, because they abrade its natural protective coating and increase the risk of corrosion marks.

DISPOSAL OF WASTE ELECTRICAL EQUIPMENT

Do not dispose of waste electrical equipment with other (household / municipal) waste types. Dispose of it separately as permitted by law. Consult the authority of jurisdiction or licensed waste recycling service providers. Directive 2002/96/EC of 27/01/2003

MOUNTING THE PANEL

The device is meant to be installed on a building wall (entrance enclosure, vestibule, shielded wall, Eastern wall, etc.), in order to minimise the effects of adverse weather conditions. We recommend installing the panel approx. 1.35 m above the ground.

Install the flush mounting box using wall plugs and plaster in the appropriate wall slot so that the front edge is in line with the wall's surface.

CAUTION! To ensure proper operation and safety of use, provide the panel (set in its metal frame) with protective earth bonding by connecting the terminal on the housing with the appropriate earthing system (PE).

Connect the panel to the entrance door electric strike and its power with a 1 mm² core cable (e.g. LY1.0). The cable should be no longer than 7 m for the electric strike connection and no longer than 15 m for the power supply connection! An inadequate power supply rating, wiring cores of insufficient sizes and excessive length of interconnecting wiring (resulting in voltage drops) may interfere with proper operation (including the "humming" noise in the audio line or inadvertent triggering of the reset system, especially when releasing the electric strike). Connect the +11.5V AC power to the +12V~ terminals; if 15V DC power is used, connect it to these terminals: +DC (+ELOCK) and GND (LINE-).

If a polarity-insensitive electric strike is installed, connect the wiring to the ELOCK terminals in any order. If a fail-safe (NO) electric strike is installed, connect jumper Z13 (if present)!

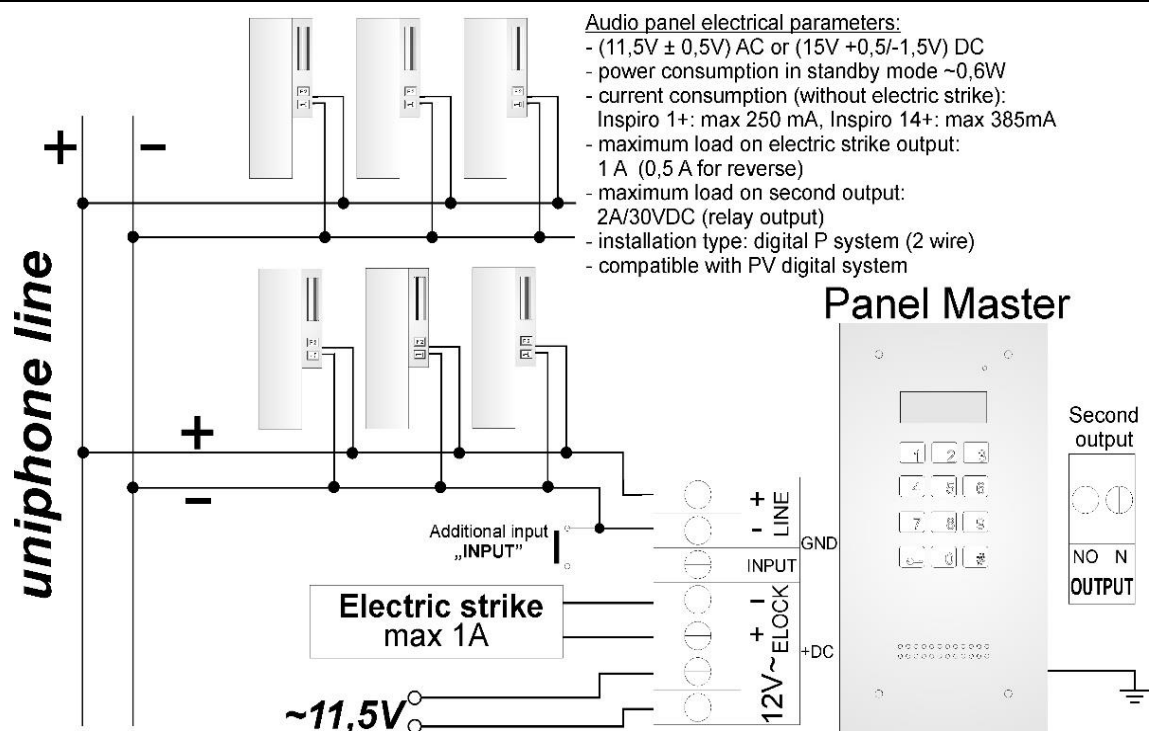
For a fail-safe (NO) electric strike, the ELOC output is live depending on the power adapter or voltage transformer type; use a compatible fail-safe (NO) electric strike. An optional MOD-DC-12V module is available to feed 12V DC to a fail-safe (NO) electric strike when the DES is fed by an 15V DC power supply or a voltage transformer. The additional relay OUTPUT terminal (Master only) can be wired to control an additional entrance gate (by factory default) with a code keypad (with "the double Key button press") and button F2 of an uniphone. The live voltage time and functions of the OUTPUT terminal can be configured in Program 18, Port 2 (as in the CND-I/O module).

Solder all wiring connections.

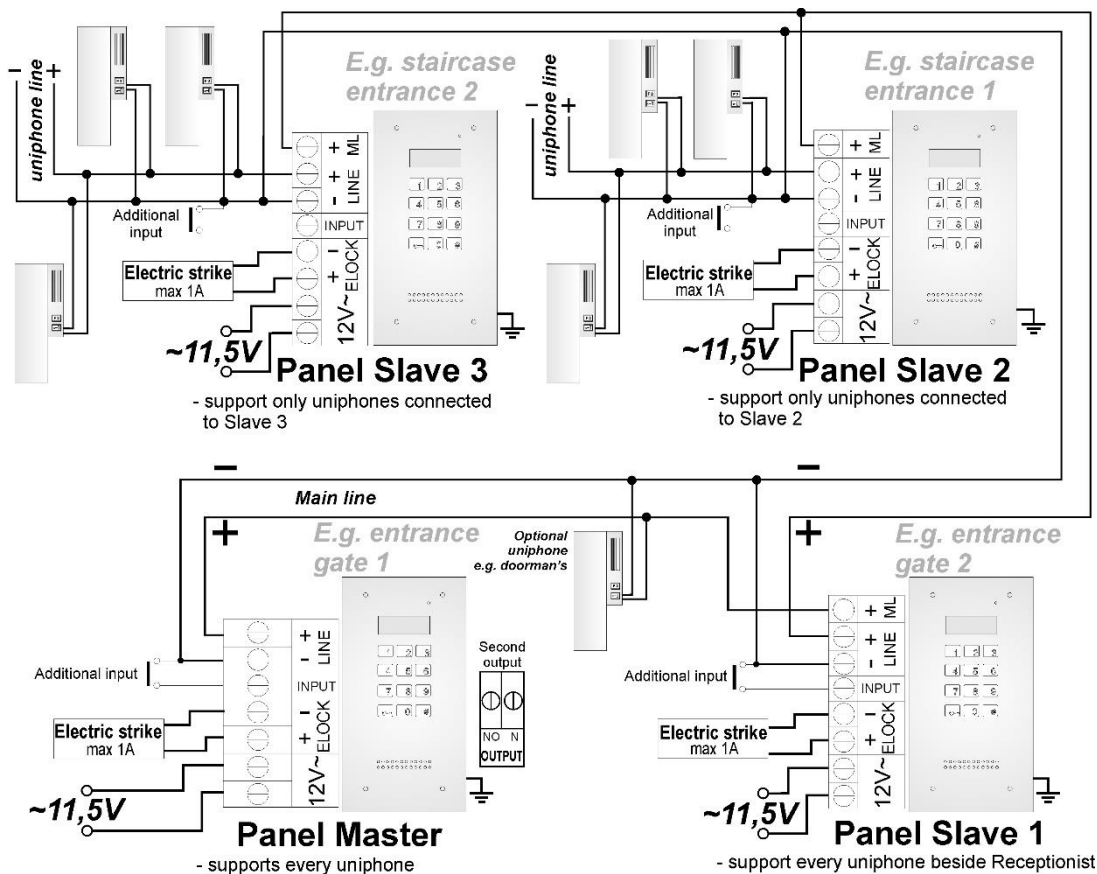
Connect the following wires to the panel:

- 2 x 1mm² cable to power the panel
- 2 x 1mm² cable: electric strike control;
- 2 x 0.5mm²: the DES output wiring to connect uniphones;
- 1 cable wire with yellow-and-green insulation – to connect the ground of the housing.

CONNECTION DIAGRAM FOR A SINGLE INSPIRO+^{AUDIO} PANEL



CONNECTION DIAGRAM FOR MULTIPLE INSPIRO+^{AUDIO} PANELS



UNIPHONE MOUNTING & WIRING

Install the uniphones as specified in their original manuals. Wire the equipment while setting the proper address in the uniphone decoder; wire the "LINE" panels with proper polarity.

VOLUME SETTING

Set the volume as follows once the uniphone is connected properly:

- the "MIC" potentiometer is used for adjusting the sensitivity of the panel microphone
- the "SPK" potentiometer sets the speaker volume
- the "SOUNDS" potentiometer sets the panel sound output volume

Having set the values, operate the "BALANCE" potentiometer to find the points of excitation of the speaker (indicated by squeaking sounds); next, adjust the potentiometer halfway between these points.

OPERATION

When in standby, the display shows the "Intro" message (which reads "aco" by default). The "Intro" message contents are freely configurable. The default range of dialled numbers is 1 to 255, with each value mapped directly to the physical addresses configured in the inside units (the software configuration tool permits any dialled number range between 0 and 999999 and a free assignment of each number to the inside unit address, or to restrict the range of supported inside units). Dialling is done by inputting the apartment number with the keypad; if the optional 230E module is installed, select the apartment number entry with the arrow buttons, followed pressing the Doorbell button. After approx. 3 s the receiver in the selected apartment will start ringing. If the dialled call is received in the dialling mode, it is possible to hold a voice conversation and unlock the door electric strike. Opening the door electric strike by inputting an apartment code: input the apartment number, confirm with the Key button and follow with the 4-digit apartment code mapped to the input apartment number. In order to print the full table of user codes or ready business cards for tenants together with the instructions for use, use the "ACO Code Generator" available at www.aco.com.pl in the user area ("download"). For each "Master" control panel, the code table is factory-set on the back of the device as a 4-digit number, and for "Slave" devices, enter the same table as in "Master". Opening the door electric strike with one of the five building administrator access codes: press the Key button and follow by inputting the six-digit code. The building administrator access codes are intended for use by building administration and maintenance personnel, e.g. maintenance technicians, the janitor, postmen, etc. The wired door electric strike can also be unlocked by shorting the additional **INPUT** to ground. If a proximity reader (ACC) is wired, the door electric strike is unlocked with the proximity card or keyfob (paired with the DES and issued to e.g. the tenants, the building administration staff, or the DES installer). An attempt of entry with a proximity card or keyfob which has not been paired will result with three loud beeps from the DES speaker. When the door electric strike is unlocked, the display shows the following text string:

“Enter!”. The **OUTPUT** (“Master” only) is activated using the F2 button on the inside unit (during a dialled call) or entering a valid access code; this requires pressing the Key button twice before the access code is entered, not unlike in the regular door electric strike unlock procedure. For devices with ACC, the 2nd output is triggered by pressing the Key button and using a paired proximity card or keyfob. As long as the 2nd output remains triggered, the display shows the following text string: **“Enter!”**. If working with Module 4 of the SW4S-DIN zones (1020 apartments), the appropriate option should be set in the software (the mounting and installation details are found in the extended manual).

PROGRAMMING

To enter the installer menu: press the **“key”** button and within 5 seconds enter **“1507xxxx”**, where **“xxxx”** is the 4-digit **Installer Password**: at the factory these are the last 4 digits of the serial number available on the sticker on the electronics board. The password should be **changed** to your own! (enter the current password in menu 7 and then the new one). **NOTE**: In older panels (up to K-14), the factory default installer password is **“0000”**. The installer menu is confirmed by a beep, the software version appears on the display and then program No. 0: **“Open”**. Use the **“2”** up and **“8”** down buttons to move through the Menu. To enter the currently displayed menu and the values entered, confirm with the **“Key”** button. In installer mode it is possible to reset (restart) the panel by pressing buttons 7 and 9 simultaneously. When exiting the installer menu (by pressing **“#”**), the current temperature inside the panel is displayed.

INSTALLER MENU ITEM DESCRIPTION

0 Open	SERVICE-MODE ELECTRIC STRIKE RELEASE	1 PIN	ENTERS THE APARTMENT CODE SETTING MODE
2 AKey	CHANGING 5 ADMIN CODES, ADDING ADMIN CARD/KEYFOB	3 Rings	SETTING THE NUMBER OF CALL RINGS; ENABLE/DISABLE VOICE DIALLING OF APARTMENTS
4 OpInf	ENABLE/DISABLE THE DOORBELL TINKLING AT THE APARTMENT ONCE THE DOOR ELECTRIC STRIKE IS RELEASED	5 Tones	SETTING ONE OF THE FOUR RING TONES
6 LTime	SETTING THE TIME TO LOCK THE ELECTRIC STRIKE ONCE RELEASED	7 IPass	CHANGING INSTALLER PASSWORD ADDING INSTALLER CARD/KEYFOB
8 Fobs	DISPLAYS THE CARDS PAIRED WITH APARTMENTS	9 Table	OPENS THE ACCESS CODE TABLE INPUT MODE
0 ReEL	ENABLE/DISABLE FAIL-SAFE (NO) ELECTRIC STRIKE	1 RstLo	ENABLE/DISABLE RESETTING TO DEFAULT SETTINGS
2 M-ACC	ENTERS THE MODE OF PAIRING PROXIMITY CARDS AND KEYFOBS WITH AN ACC PROXIMITY READER	3 M-xNP	ENTERS THE PROGRAMMING MODE TO PAIR TENANT NAMES TO KEYPAD BUTTONS 2, 6, 10NP (in Zone 1 only)
4 Delay	SETTING THE DOOR ELECTRIC STRIKE RELEASE DELAY AFTER MAKING THE INPUT TERMINAL	5 CaSrv	SETTING THE DELAY TO DISPLAY THE “CALL SERVICE” MESSAGE
6 InsCa	TRIGGER APARTMENT CALLBACK IN THE INSTALLER MODE (THE PERMITTED APARTMENT NO. RANGE)	7 SrvCa	TRIGGER APARTMENT CALLBACK IN THE SERVICE MODE (FROM A SPECIFIC APARTMENT)
8 Searc	SEARCHES FOR UNIPHONES WITH FAULTS OR NOT PROPERLY REPLACED HANDSETS	9 LTest	RUNS A LINE TEST TO CHECK THE WIRED UNITS FOR FAULTS

CAUTION! Accessing the full configuration requires the software configuration tool (“x700”) which can be downloaded for free from www.aco.com.pl. The panel can be interfaced with a PC laptop with an optional CDN-USB data cable (which is purchased separately). The website Downloads section also includes the full operating manual for the CDNP7ACC and INSPIRO+, complete with a troubleshooting guide for most common problems.