

# ECOMAT

## Motion Detector

Ideal for installation in Halls, Box room corridors, Meeting rooms

### Features:

- High Frequency detection, high performance detects even slight movements and can be inconspicuously installed
- Can detect through non-metallic surfaces and can be inconspicuously installed in either plaster or cork sunroofs. It can also detect through plastic, wood, or brick
- This feature allows the device to detect while remaining out of sight, which is ideal from an aesthetic and safety point of view in hotels, offices, meeting rooms, etc
- Its detection capacity does not depend on ambient temperature. Therefore it maintains accuracy in hot or humid environments such as kitchens or showers
- ECOMAT detects emitted wave bounce off, so detection improves in closed areas such as corridors, entrance halls, bathroom facilities and offices. It decreases in open or large spaces such as garages, porches, etc. In



case of surface installation, it can be over flat wall, ceiling or also over inner or outer corners by means of the accessory included

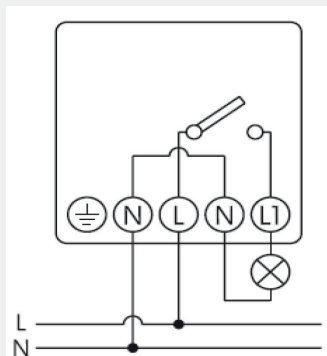
- Zero-crossing relay for a better switching of LED-type loads, fluorescence or low energy lighting
- Adjustable parameters : detection area, timing, and light sensitivity.
- Flat wall, inner or outer corner, or ceiling installation

### Maximum Recommended Load:

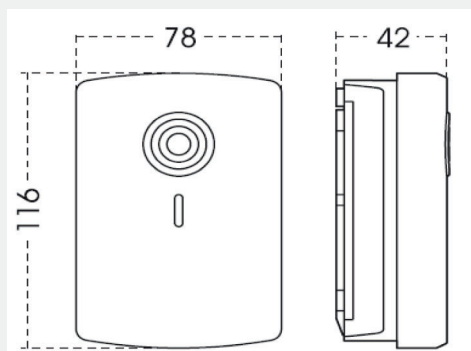
Incandescents	Fluorescent	Low voltage halogen (12 V AC)	Halogen (230 V AC)	Low consumption lamps	Downlights	LED
1300 W	1300 VA	1300 VA	1300 VA	1300 VA	1300 VA	500 VA

## ECOMAT Continued...

### Wiring Diagram:



### Dimensions:



## TECHNICAL DATA

	ECOMAT
Power supply	230 ± 10 % V AC
Nominal frequency	50- 60 Hz
Stand-by consumption	1.4 W (9 VA)
Switching capacity	μ 6 A / 230 V~ cosj = 1
Zero-cross switching	Yes
Number of circuits	1
Detection angle	Ceiling: 360°. Wall 270°
Detection field	Up to 12 m frontal and 6 m lateral at 2.5 m height
Adjustable parameters	Timing, Brightness range, Detection range
Brightness range	5 ... 2,000 lux
Timing range	3 s ... 30 min
Detection range	0.5 m ... 12 m
Protection class	Class II in correct mounting conditions
Degree of protection	IP 20 according to EN 60529
Method of mounting control	Surface, Hidden
Installation height	Up to 3 m (ideal between 2 and 3 m)
Connection	screwless terminals
Wire cross section	0.75 ... 2 mm <sup>2</sup>
Length of the insulator to be removed	0 ... +50 mm
Operating temperature	0 ... +50 °C
Transportation and storage temperature	-10 ... +60 °C
Net weight	150 g