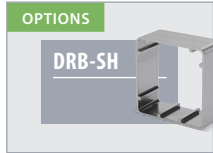


DRB002F Series

Exit Button

- Brushed Stainless Steel
- 19mm Stainless Steel button
- Flush mount
- **FREE:** Add your company logo



DRB002F-NL

NO LEGEND

- COM / NO / NC Change-over-contacts



DRB002F-PTE

PRESS TO EXIT

- COM / NO / NC Change-over-contacts

DRB002F-DR

DOOR RELEASE

- COM / NO / NC Change-over-contacts



DRB002F-PTE SWH20

PRESS TO EXIT

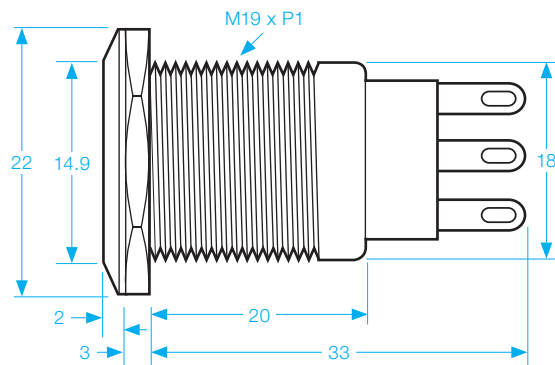
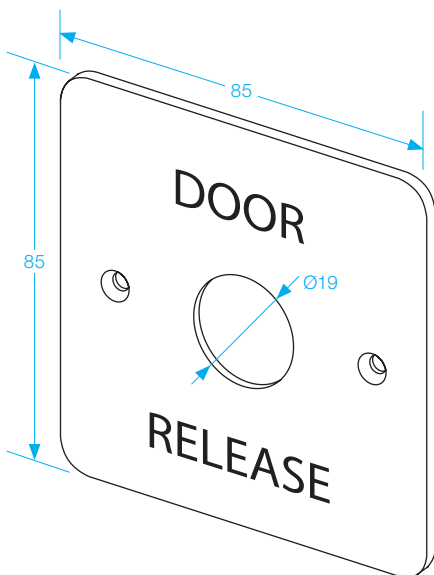
- COM / NO
- Screw terminals



DRB002F-DR SWH20

DOOR RELEASE

- COM / NO
- Screw terminals

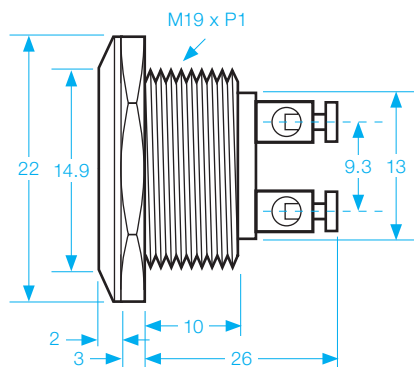


BUTTON FOR:

DRB-002F-PTE

DRB-002F-NL

DRB-002F-DR



BUTTON FOR:

DRB-002F-PTE-SWH20

DRB-002F-DR-SWH20

SPECIFICATION

- Max. Rating: 5A/125/250 Vac.
- Contact resistance: 50mΩ Max. (Initial).
- Operating travel: 2.7mm.
- Operating life (Mechanical): Over 100,000 times.
- Cables included.