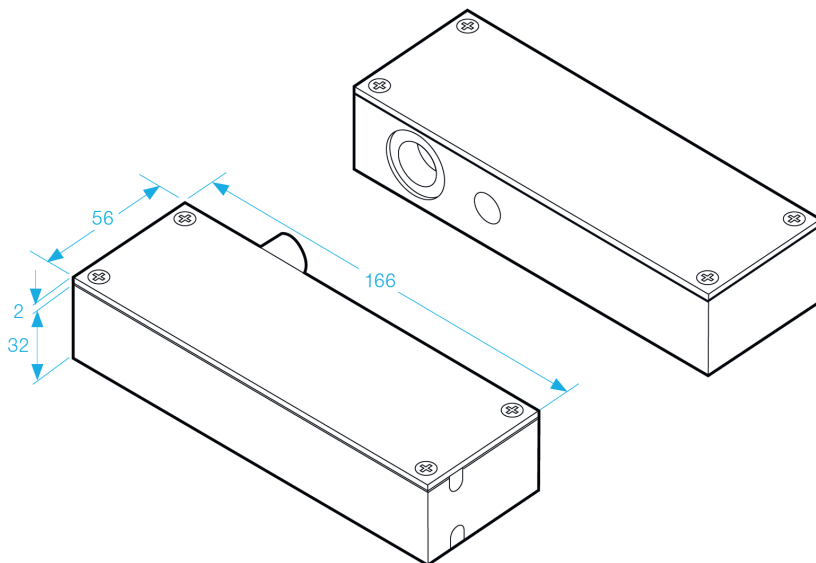


EB300

Electric Solenoid Drop Bolt

Features:

- Operates by means of a solenoid
- Suitable for inward/outward opening doors
- Auto-relocking timer delay: 0, 3, 6 and 9 seconds
- Power consumption of only 0.3A when locked @ 12V DC
- Door lock status feature
- Surface mounted
- Fail Open



AUTO RELOCKING TIMER SETTINGS

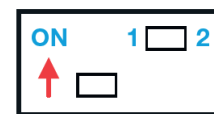
Use jumpers to adjust the time between 0 to 9 seconds for door locking time delay. This is the time, which takes the dropbolt to automatically lock after the door is closed.



0 Seconds



3 Seconds



6 Seconds



9 Seconds

EB300 Continued...

TECHNICAL DATA	EB300
Voltage tolerance	±10%
Current draw	Pull in 0.9A, Holding 0.3A at 12V DC (at temperature 20°C)
Operating temperature	-10~45°C (14 to 131°F)
Locks surface temperature	Current temperature ±20% (when power is on)
Door position status output	Indicates door opened or closed status (Read rated 0.25A at 30V DC)
Humidity	0~95% non-condensing
Installation	Horizontal or vertical
Tested	To 500,000 cycles
Residual force	Zero residual force
Weight	1.2kg (approx)