

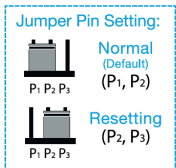
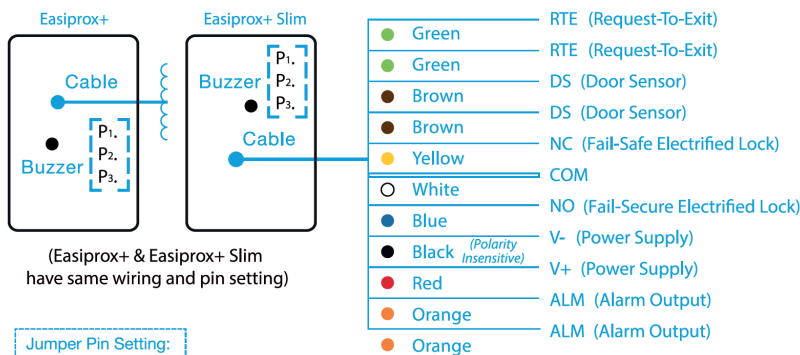
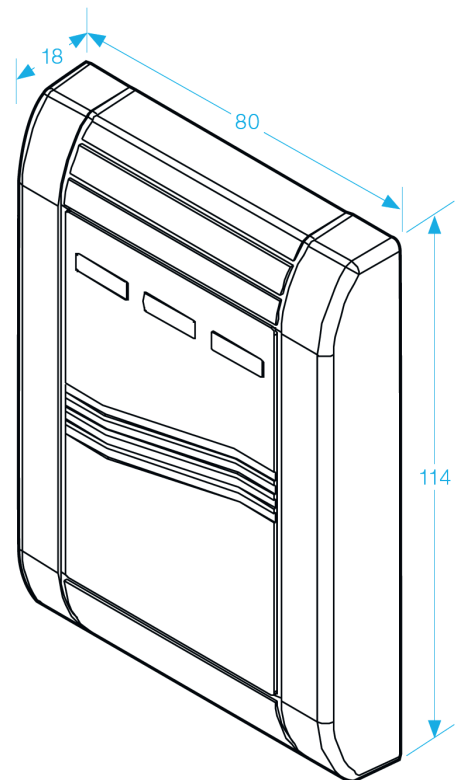
EASIPROX/BT

Standalone Proximity



Features:

- Bluetooth
- Operating voltage 12V DC
- Black ABS plastic
- Internal or External use
- Self-contained
- Read range 5cm
- Fully programmable via master card
- 3 LED displays with audible indication
- Weather resistant: IP67



LED	Power + DC12-15V	AUDIBLE BEEPS	STATUS
BLUE	Power On, Standby Mode	1 Long Beep	Valid Access, Reset is Complete
GREEN	Unlocked, Door Always Unlocked	2 Short Beeps	Locking Complete
RED	Invalid Access, Door Always Locked	3 Short Beeps	Invalid Access
		Constant Beeping	Bluetooth Device Vandalised, Door Sensor is on