

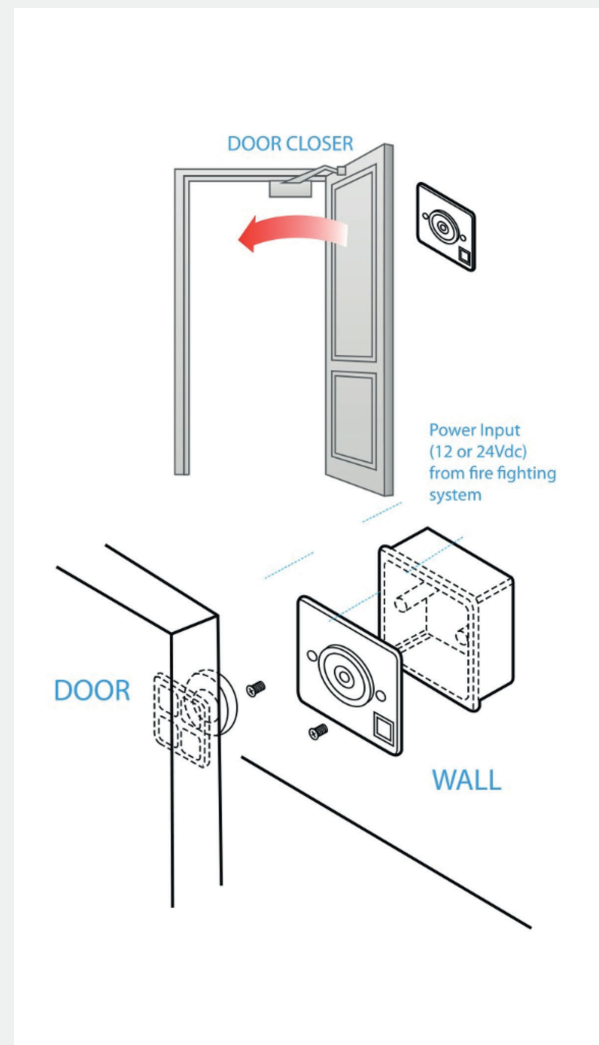
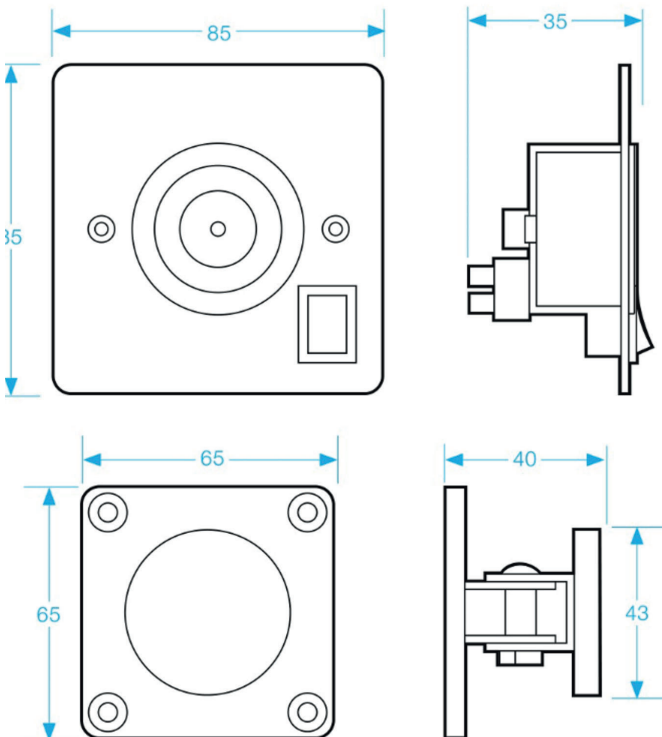
DR12/F

Electromagnetic Door Retaining Magnet

Ideal for use in schools, hospitals, theatres, offices, hotels etc. Can be fitted to new or existing doors and suitable for left or right-handed doors. It has an adjustable arm that ensures the correct alignment with magnet.

Features:

- Tested and certified to BS EN1155
- Stainless Steel fascia
- Holding Force: Up to 32Kg (70lb)
- Suitable for left or right-handed doors
- Can be fitted to new or existing doors
- Low current draw
- Adjustable arm ensures correct alignment with magnet
- Flush mounted in a standard 1 gang 35mm box (not supplied) or surface mounted using an SMF metal frame (not supplied)
- Anti-residual magnetism design



DR12/F Continued...

TECHNICAL DATA	DR12/F
Operating Voltage	12V DC
Voltage tolerance	±15%
Current draw	150mA at 12V DC, 70mA at 24V DC (at temperature 20°C)
Operating temperature	-10~45°C (14 to 131°F)
Humidity	0~95% non-condensing
Finish	Stainless Steel fascia
Mounting	Flush