

## Signalling with AC BUZZER

## Door intercommunication

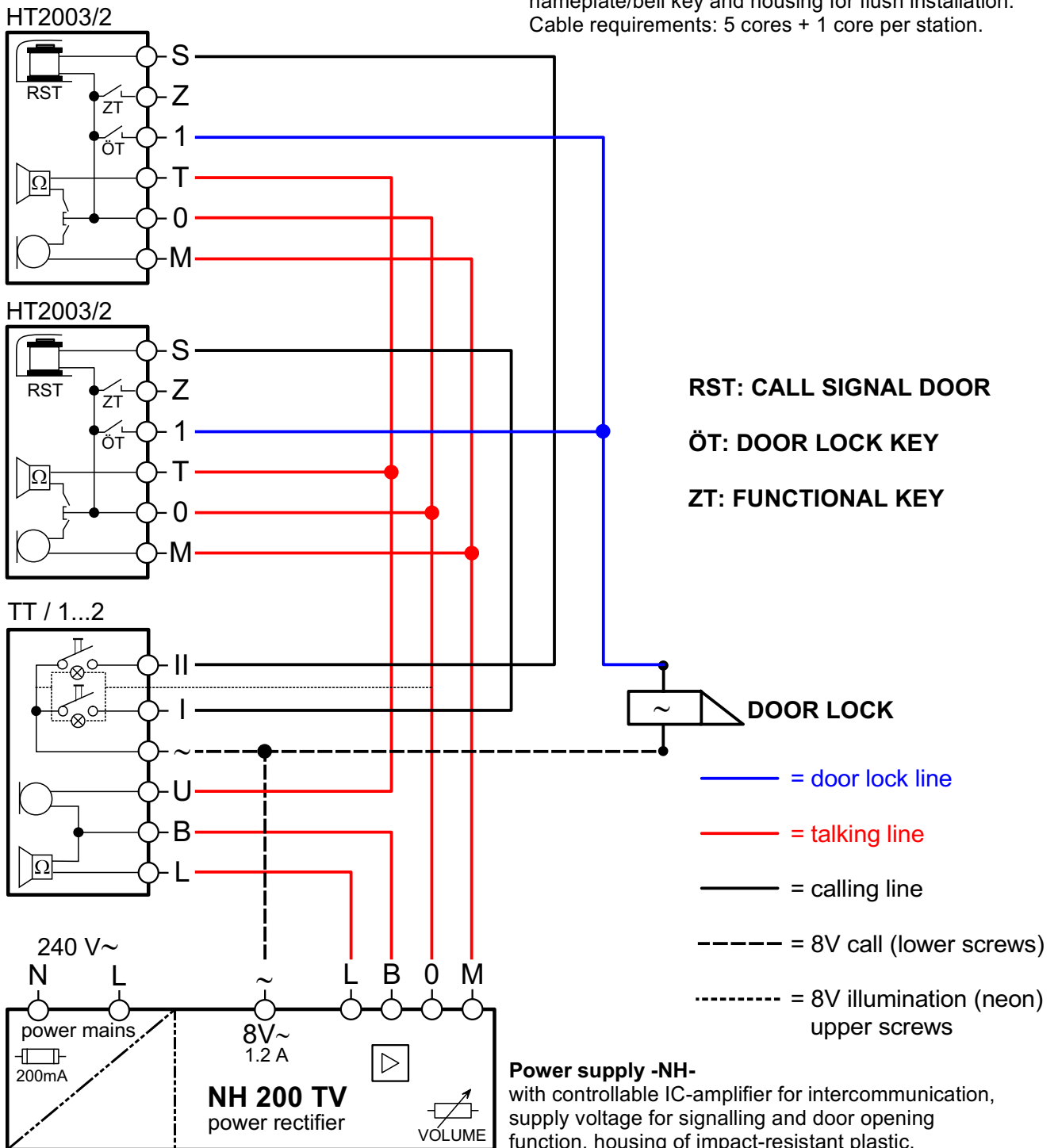
### House telephone -HT-

Wall mounting telephone handset flat compact construction of impact-resistant plastic, integrated signal generator, two operating keys (door opener, light call).

### Door station -TT-

with anodized aluminium, external station consisting of a dynamic loudspeaker and a microphone, illuminated nameplate/bell key and housing for flush installation.

Cable requirements: 5 cores + 1 core per station.



### Power supply -NH-

with controllable IC-amplifier for intercommunication, supply voltage for signalling and door opening function, housing of impact-resistant plastic.

## Signalling with AC BUZZER

## Door intercommunication

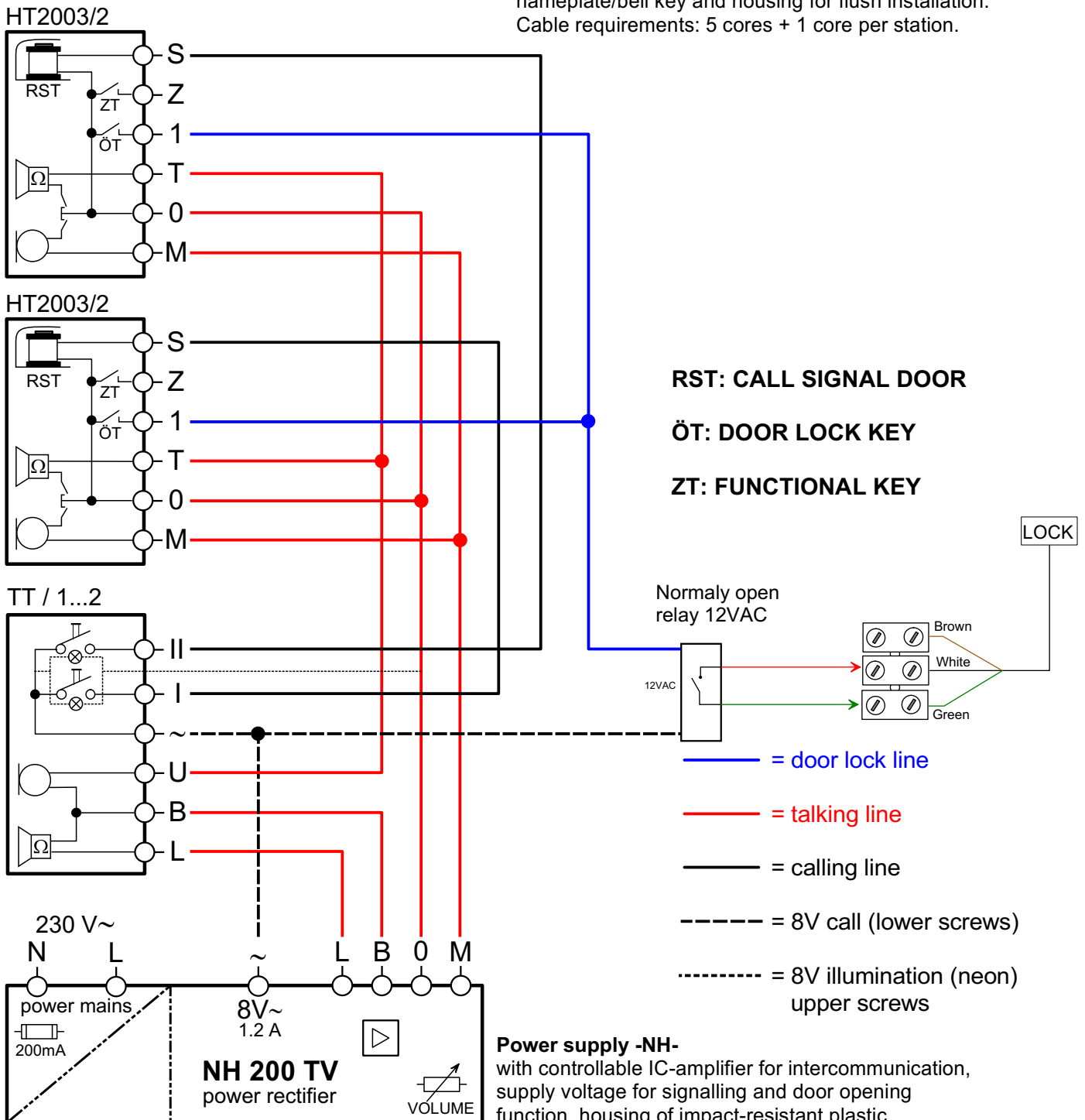
### House telephone -HT-

Wall mounting telephone handset flat compact construction of impact-resistant plastic, integrated signal generator, two operating keys (door opener, light call).

### Door station -TT-

with anodized aluminium, external station consisting of a dynamic loudspeaker and a microphone, illuminated nameplate/bell key and housing for flush installation.

Cable requirements: 5 cores + 1 core per station.



## Signalling with AC BUZZER

## Door intercommunication

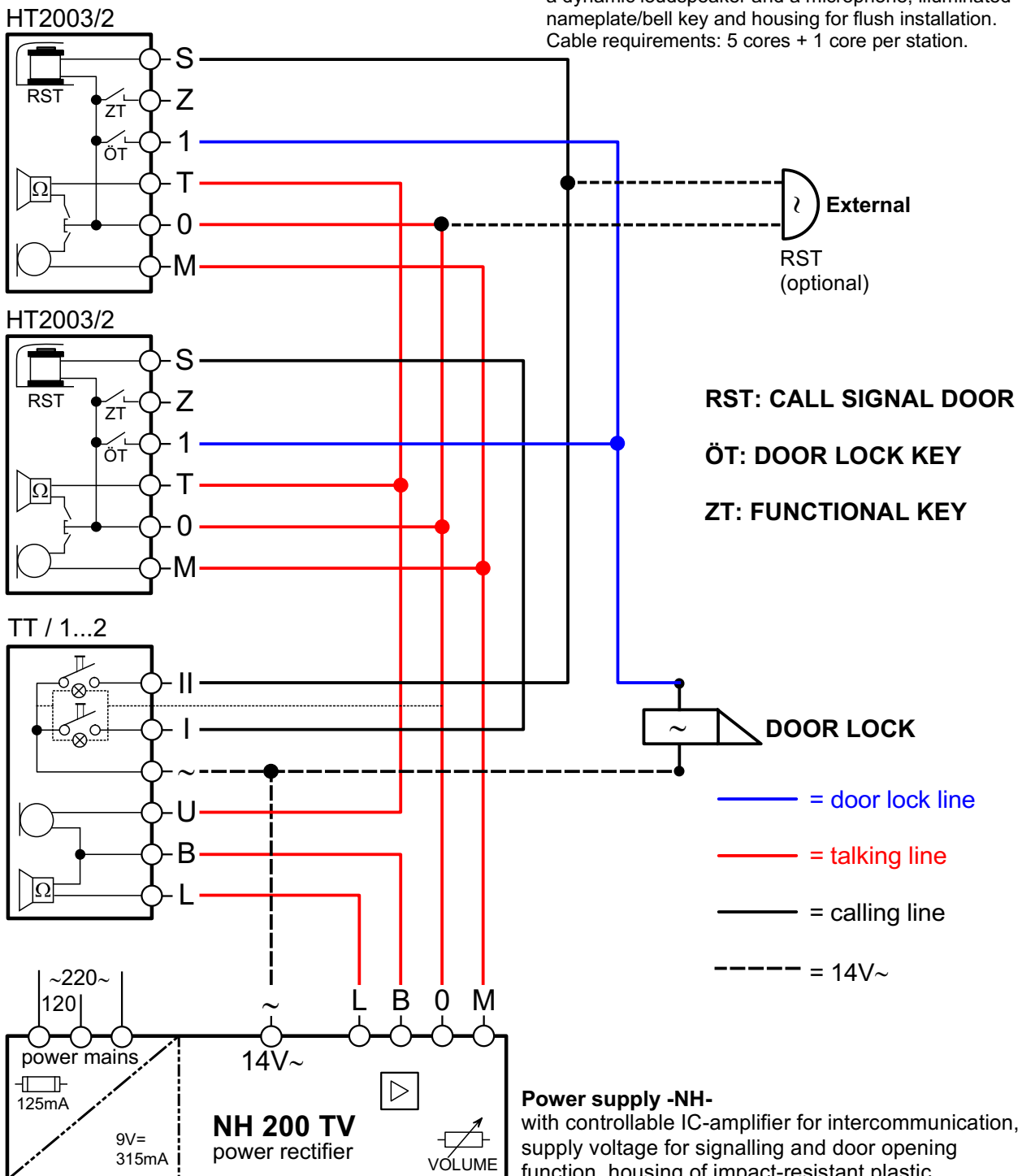
### Apartment Handset -HT-

for exposed or concealed installation (special concealed unit required), flat compact construction of impact-resistant plastic, integrated signal generator, two operating keys (door opener, light or call)

### Door station -TT-

with anodized aluminium, external station consisting of a dynamic loudspeaker and a microphone, illuminated nameplate/bell key and housing for flush installation.

Cable requirements: 5 cores + 1 core per station.



**Power supply -NH-**  
with controllable IC-amplifier for intercommunication, supply voltage for signalling and door opening function, housing of impact-resistant plastic.

STANDARD  
INTER-  
COMMUNICATION  
EQUIPMENT

# NH 200 TV

a.pt

