

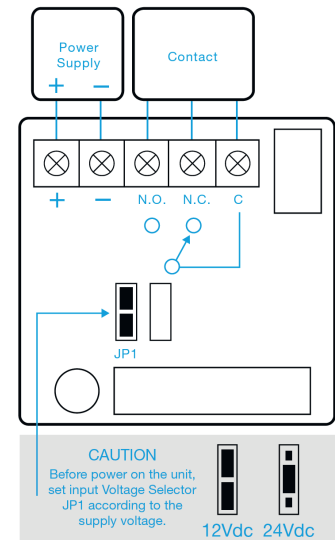
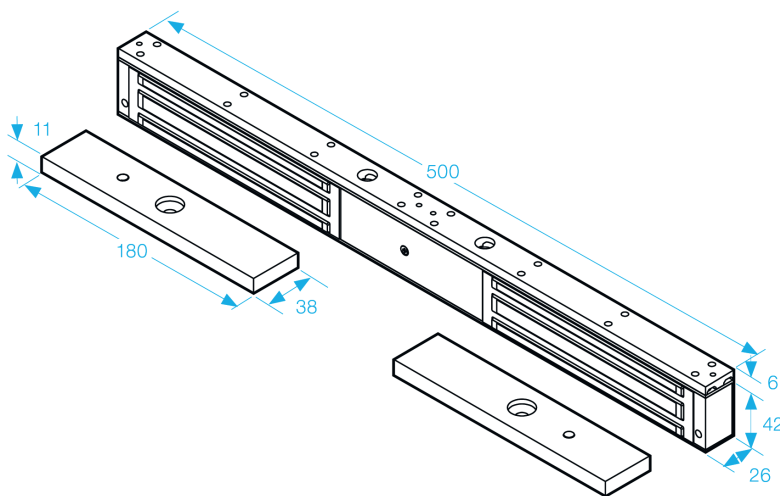
DMLK

Double Mini Maglock, Monitored



Features:

- Operating voltage 12-24V DC
- Holding force up to 2x600lbs
- Aluminium housing
- Electroless nickel plated armature
- Door status: An independent contact that works separately from the magnet to show door status not lock status
- Status LED- **Red** & **Green**



TECHNICAL DATA

	DMLK
Voltage tolerance	±10%
Current draw	480mA at 12V DC, 240mA at 24V DC (at temperature 20°C)
Operating temperature	-10 ~ 55°C (14 to 131°F)
Locks surface temperature	Current temperature ±20% (when power is on)
Humidity	0~95% non-condensing
Weight	3.7kg (approx)