

DICROMAT SENSOR+

Motion Detector

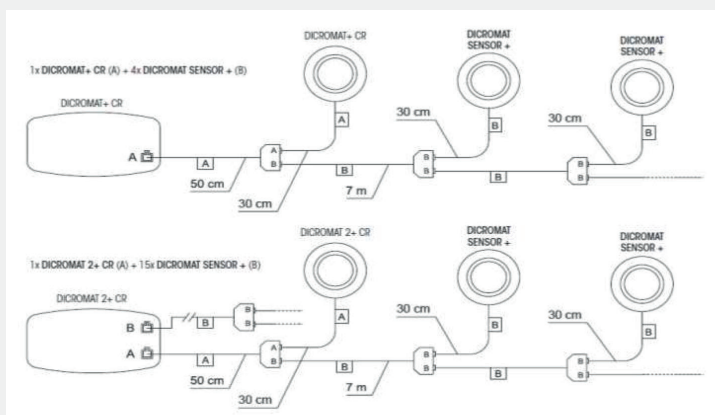
Ideal for long corridors in hotels and residential buildings.

Features:

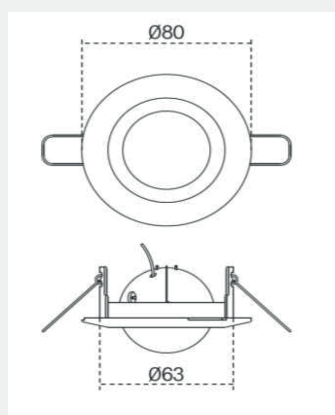
- Additional detector compatible with DICROMAT + CR , DICROMAT 2 + CR and pre-2017 models DICROMAT + and DICROMAT 2 +.
- It is the ideal model for installations with long corridors given that it can be connected to master unit DICROMAT +CR/2, +CR
- It streamlines, simplifies and economizes the installation given that it is not necessary to buy or wire all the detectors of the corridor or area to be covered.
- Adjustable detection area.
- Detection field limiter included, which allows detection cancellation in specific points within the detection area.
- - DICROMAT SENSOR + includes a 7m extender cable.



Wiring Diagram:



Dimensions:



DICROMAT SENSOR+ Continued...

TECHNICAL DATA

| | DICROMAT SENSOR+ |
|--|---|
| Detection angle | 360° |
| Detection field | Up to 7 m diameter at 2.5 m height |
| Protection class | Class II in correct mounting conditions |
| Degree of protection | IP20 according to EN 60529 |
| Method of mounting control | Ceiling (recessed) |
| Connection | Adapter wire |
| Operating temperature | -10 °C to +45 °C |
| Transportation and storage temperature | -20 °C to +55 °C |
| Net weight | 66 g |