

DG800/N

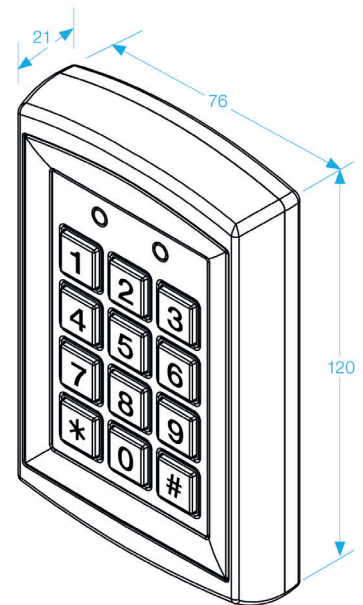
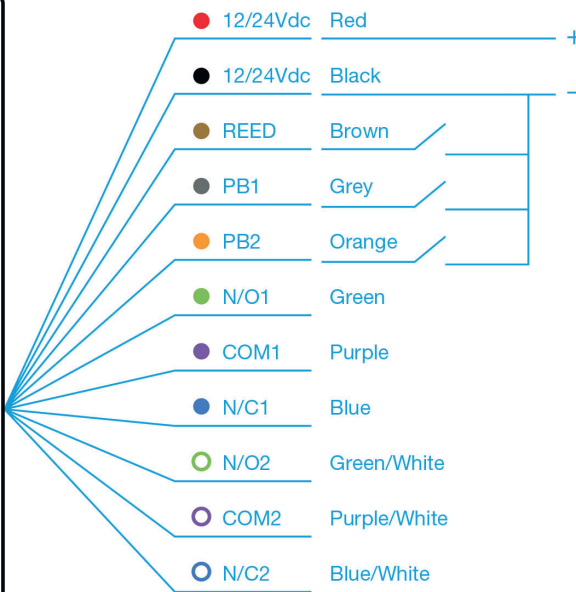
Combined Proximity and Keypad Access

Features:

- Operating voltage 12~ 24V AC / V DC
- Die-cast aluminium
- 1000+10 proximity cards, tokens and PINS
- Backlit keypad
- Weather resistant: IP65
- Vandal resistant
- Terminal connections
- 2 LED displays with audible indication



Stand Alone Reader



RED	+
BLACK	-
BROWN	REED

GREY	PB1
ORANGE	PB2
GREEN	N/O1

PURPLE	COM1
BLUE	N/C1
GREEN/WHITE	N/O2

PURPLE/WHITE	COM.2
BLUE/WHITE	N.C.2