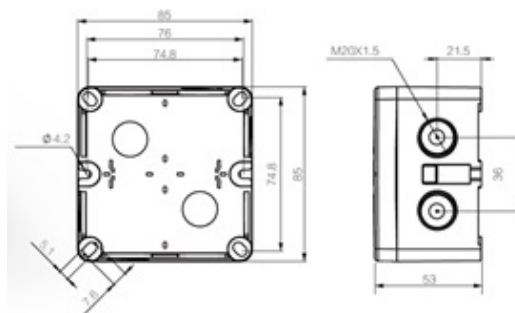


External Debox®

Range: Debox®

Part Number: Debox 11



DESCRIPTION

Debox 11, Surface-Mounted Internal and External Junction Box. Debox 11 comes with 10 soft membrane covered cable entries, providing quick puncture-entry and self-sealing rated to IP66. 8 entries are threaded M20 ideal for Cable Glands, with no need for an internal locknut, and giving a higher protection rating of IP67. Free Five (3 x pole) screwless connectors supplied. Can be fixed into a built-in mounting fixture. The housing is made with flame retardant, impact-resistant polypropylene.

DEBOX® FEATURES

- Ready for use, complete with 5 (3 x pole) screwless connectors
- Highly versatile
- Flexible fixing methods
- IP66 rated using membrane cable entries
- IP67 rated using threaded, M20 cable gland entries
- Captive Screws in Lid
- 4 Mounted Screw Holes
- Robust flame retardant polypropylene housing
- Temperature Rating -30°C - 100°C

Subject to technical modification without notice.

Typographical and other errors do not justify claim for damages.

SPECIFICATION

Body Material	Polypropylene
Colour	Black RAL9005
Max Current (A)	32
Height (mm)	53
Width (mm)	85
Length (mm)	85
Min Temperature Rating °C	-30
Max Temperature Rating °C	100

INDUSTRY ACCREDITATIONS

